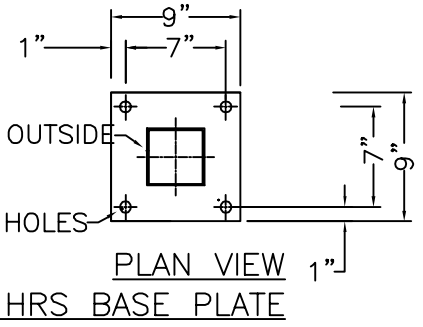


NOTE:
CHECKER TABLES SHALL BE SET SO THAT A PERSON SEATED ON THE BENCH WILL HAVE A WHITE SQUARE IN THE LOWER RIGHT HAND CORNER OF THE BOARD

PLAN VIEW

4" SQUARE TUBE OUTSIDE



Ø 13/16" DRILL 4 HOLES

GRAFFITI RESISTANT COATING:
PROFESSIONAL PRODUCTS OF
KANSAS PROFESSIONAL WATER
SEALANT,PWS-8. TWO COATS
SHOP APPLIED TO ALL EXPOSED
PARTS OF CONCRETE TABLE TOP.
FIRST COAT ALLOWED TO DRY TO
THE TOUCH BEFORE SECOND COAT
APPLIED.

CONCRETE CLASSICS
203 560 9097
www.ConcreteClassics.com

CC715 Surface mount game table		
Scale: 3/4"=1'-0"	Date: 2/7/08	Drawn: S.L.A.
SQUARE STEEL LEG SURFACE MOUNT		
MAT'L: CAST STONE	CC715	